

OMNI TURF



PROPERTY

- Primary Yarn Polymer
- Yarn Cross Section
- Standard Colors
- UV Stabilized
- Fabric Construction
- Primary Backing
- Coating Type(s)
- Perforations
- Recommended Infill
- Pile Height
- Total Weight
- ISO 9001 Quality Assured
- Roll Width

DESCRIPTION

- Polypropylene
- Texturized Polypropylene
- Pine; Terra Cotta
- Yes
- Tufted
- Dual Layered Woven Polypropylene
- 3mm Polyurethane Foam; SilverBack™ Polyurethane
- No
- N/A
- 9/16"
- 79 oz. (Foam); 49 oz. (PU)
- Yes
- 12 Ft.

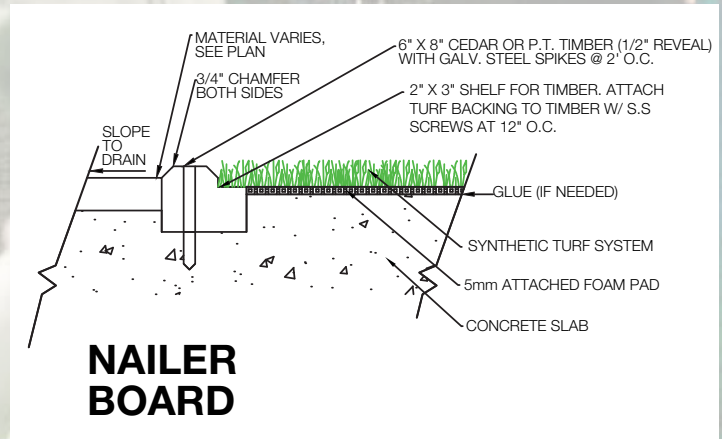
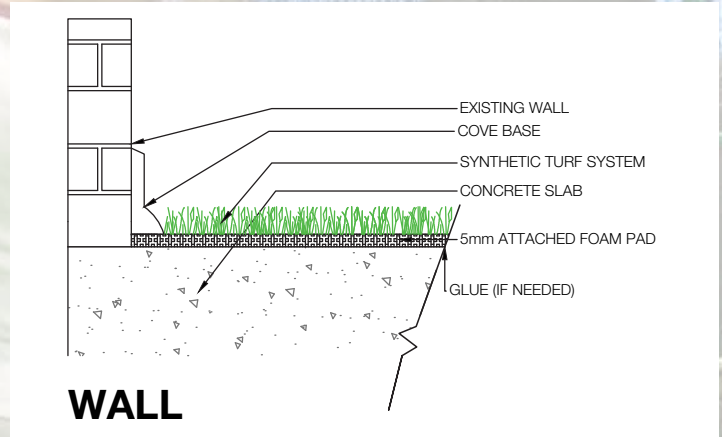
ADVANTAGES

- Increases available time of use
- Improves performance and safety
- Allows more time for practice
- High performance quality
- Helps create multipurpose facilities
- Perfect for training
- Always ready for use
- Consistent performance over time and use

OMNI TURF

BENEFITS

This is an excellent product that has become one of the most popular versatile surfaces available. This product can be installed indoors or outdoors on concrete or a compacted aggregate base.



It is the policy of Synthetic Turf International to continuously improve their line of products. Therefore, Synthetic Turf International reserves the right to change, modify or discontinue systems, specifications and accessories of all products at any time without notice or obligation to purchaser. These are standard specifications subject to manufacturing tolerances and consumer requests.